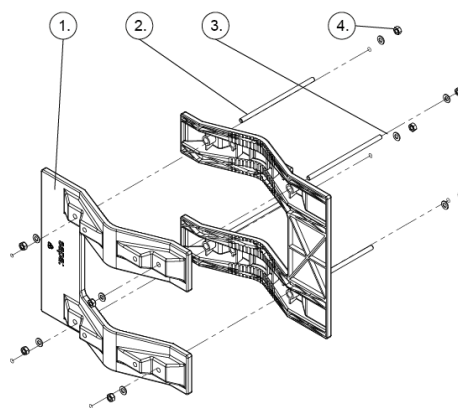


The Sapa Ground wing set is an accessory for Sapa lighting columns. This ground wing gives the lighting column extra resistance against turning of the column by enhancing the surface of the column in the ground. The Sapa Ground wing set exists of two PP shell parts which are clamped around the column with the use of wired rods.

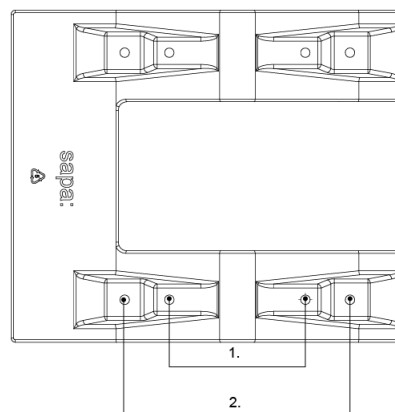
The Ground wing set exists of 4 different components:

1. PP shell part
2. Threaded Rod (M10 x 230mm)
3. Washer (M10)
4. Nut (M10)



The ground wing set is universal and can be used for column diameters from 114 mm to 200 mm.

To have enough clamping force for the Shell parts around the column it is of great importance that the right set of holes is used for the specific column diameters.



1. D114 – D145
2. D165 – D200

Especially in case of small lighting columns it is common that the ground wing set is assembled at the same height as the cable entry hole.

In case of larger column sizes it is also possible to use multiple ground wing sets assembled to the column. The Ground wing sets are being assembled 90 degrees off each other.

Sapa Pole Products

Alcoalaan 12, 5151 RW Drunen

The Netherlands

Tel: +31 416 386200

Fax: +31 416 386230

E-mail: info.poleproducts.nl@sapagroup.com

www.sapapoleproducts.com

sapa:

Universal ground wing

MEN03.37.001.R01



Sapa Pole Products

Alcoalaan 12, 5151 RW Drunen

The Netherlands

Tel: +31 416 386200

Fax: +31 416 386230

E-mail: info.poleproducts.nl@sapagroup.com

www.sapapoleproducts.com