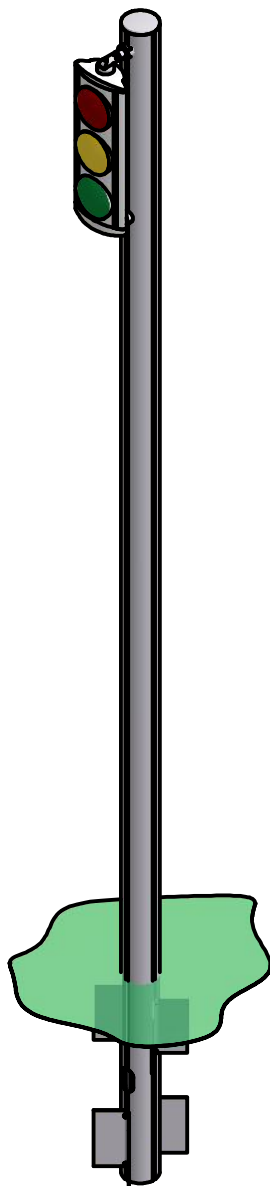
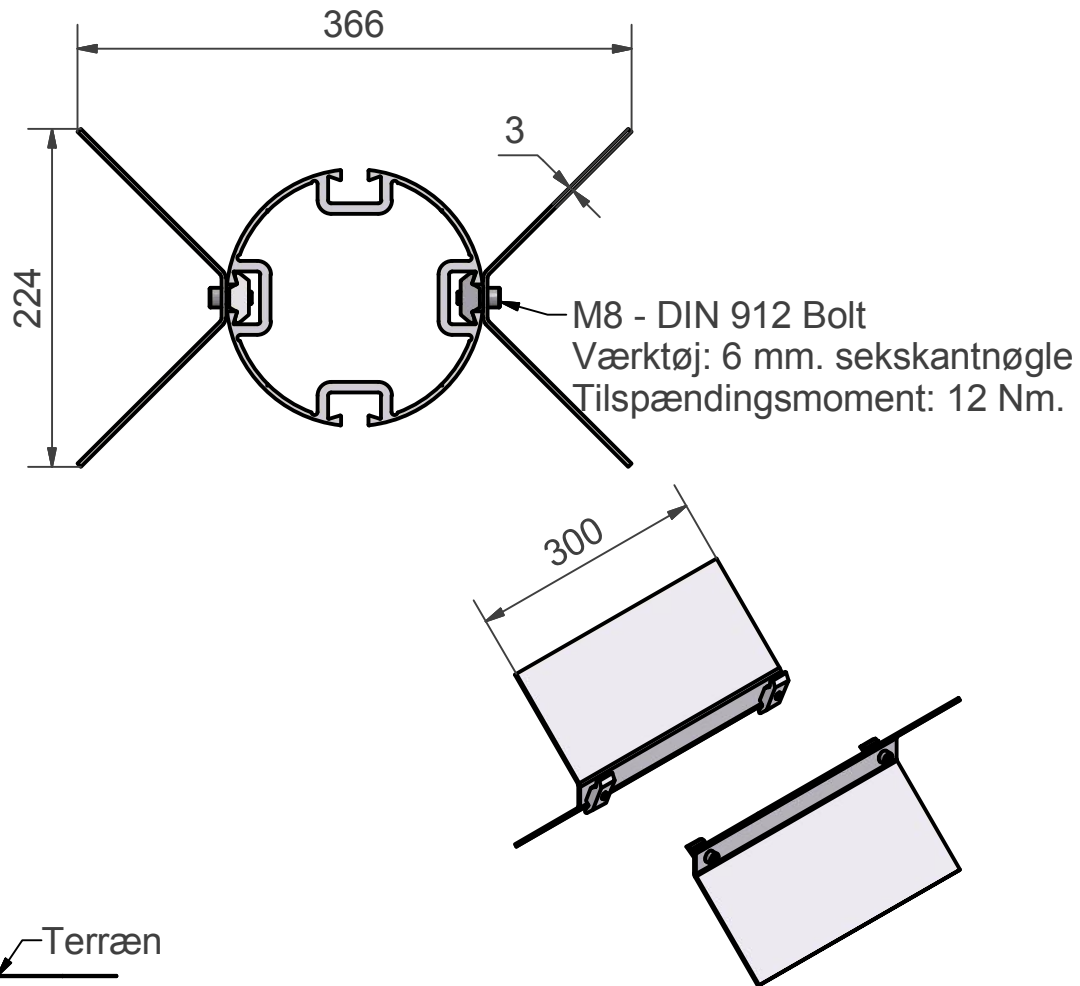
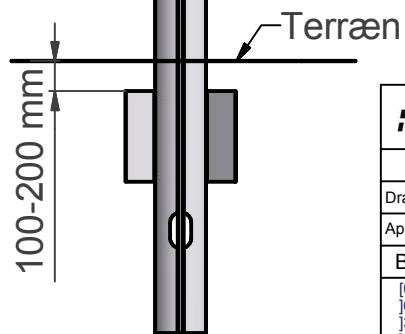


1 stk. vingesæt ved lav signalmast



2 stk. vingesæt ved høj Signalmast



MILEWIDE®			Material Dim. & Type:	Surface Finish:
Drawn:	Date: 17-11-2005	Name: LS	Drawing Title:	
Approved:			Vingesæt Montering	
Basic Tolerances:		Weight:		
[0 - 6]	± 0,1	Scale:	Drawing Number:	Rev.:
[6 - 30]	± 0,2		Vingesæt	
[30 - 120]	± 0,3	Sheet Size:		
[120 - 400]	± 0,5	A4	Drawing Path: N:\acad\MILEWIDE\Installationsguide\Vingesæt.idw	
[400 - 1000]	± 0,8			
[1000 - 2000]	± 1,2			
[2000 - 4000]	± 2,0			
[4000 - 8000]	± 3,0			
[8000 - 16000]	± 4,0			